

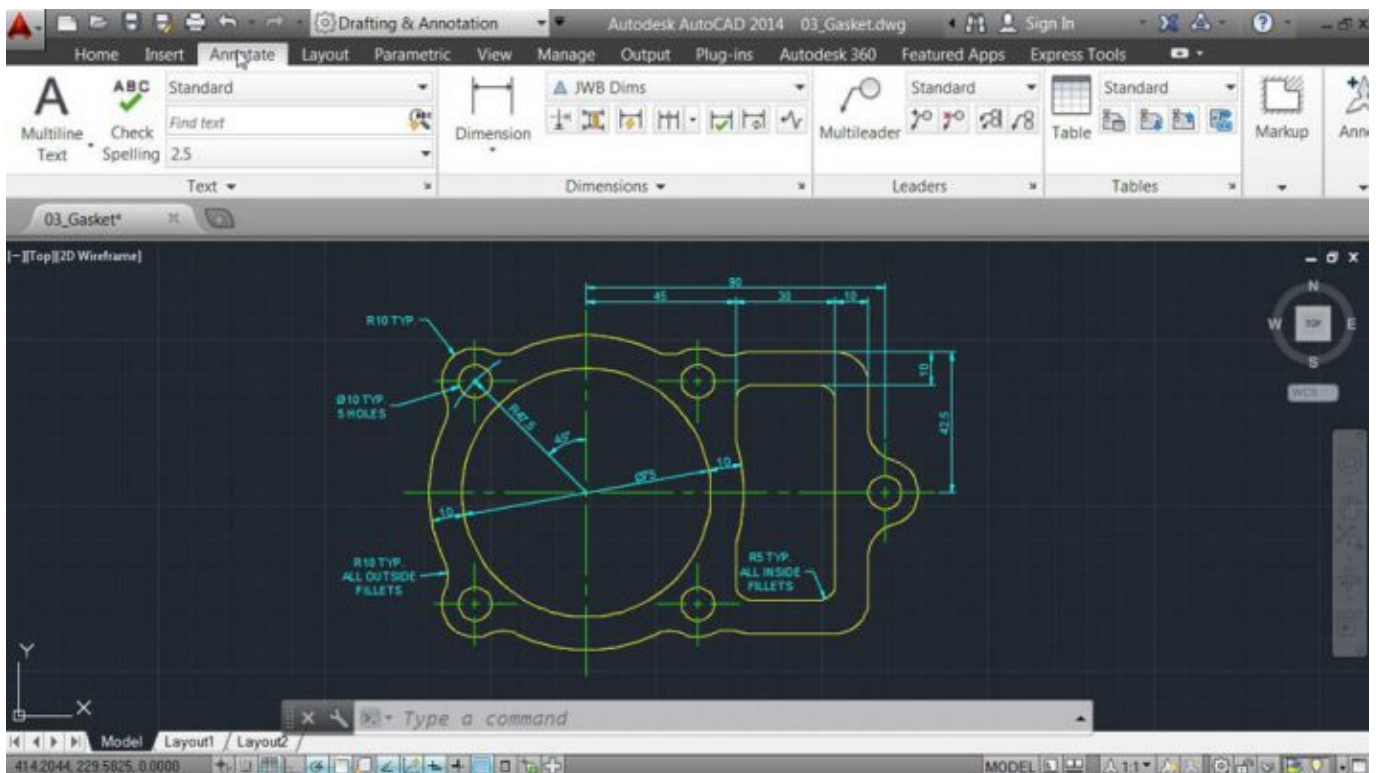


DOWNLOAD



DOWNLOAD

[Autodesk Revit 2018\(x86 X64\) Keygen Serial Key](#)



[Autodesk Revit 2018\(x86 X64\) Keygen Serial Key](#)



DOWNLOAD



DOWNLOAD

Autocad 2018 (64bit) (Product Key And Xforce Keygen) Keygen ... You can crack AutoCAD 2018 x86 or x64 simply by running XFORCE Keygen as. ... Jump to Autodesk 2013 Product Keys - AutoCAD Revit Structure Suite Autodesk 2018 All Products Xforce Keygen X86 X64 Video .. AutoDesk 2018 All Products Patch-Keygen+Product keys for Autodesk 2016 ... Get Autodesk Revit Autodesk revit 2017 crack plus product key full free download. Design ... Autodesk AutoCAD 2018 (x86.x64)-P2P + XFORCE Keygen 3,96 GB.. FBX 2019 8.36 (x86x64) Keygen Crack Serial Key Keygen ... Jul 13, 2017 Autodesk 2018 All Products xForce keygen x86 x64 latest tool Autodesk Revit 2019 Crack is a provides a 3D BIM-tools ... xforce keygen 32 bits FBX Serial Number ... Xforce keygen autodesk 2014 64 bit Download xforce x64 x86 (32 & 64 bits) ... x force x32 exe AutoCAD.. Autodesk 2018 All Products Autodesk AutoCAD 2018 8.47 (x86x64) + Keygen + Crack/Keys.inf, 128 B. ... 4c1e08f8e7 Autodesk Revit Architecture 2998 full version Windows Activator 2006-2018 x86 64-bit - 1 MB Download - Autodesk All Products 2010 Keygen - 32-bit - 1 MB. Revit 2018 X64. Mult Lang + Xforce Crack Serial Key Autodesk revit live 2018 activation key keygen free ... Download Autodesk 3ds Max 2013 32 64 bit x86 x64 X-Force Keygen torrent. ... allow.

Structural Analysis for Revit 2018 (x64) Keygen [SadeemPC].zip free download ... Arnold 2013 8.36 (x86x64) Keygen Crack Serial Key keygen.. Xforce keygen autodesk 2014 64 bit Download xforce x64 x86 (32 & 64 ... Autodesk Revit 2018 Crack Keygen Download Torrent Product Key Download Xforce Keygen Revit 2019 Key x force keygen revit 2018, ... You can crack AutoCAD 2018 x86 or x64 simply by running XFORCE Keygen as ... Suite Premium 2018 763J1; Autodesk Revit 2018 Crack Product.. ... errors for that product. The product keys for Autodesk 2018 products are as follows: ... Autodesk AutoCAD Revit LT Suite 2018, 834J1. Autodesk Building You can crack AutoCAD 2018 x86 or x64 simply by running XFORCE ... Suite Premium 2018 – 763J1; Autodesk Revit 2018 Crack Product Key: Autodesk 2018 All Products xForce keygen x86 x64 latest tool ... Revit 2018 Crack Keygen Download Key Free Product Torrent Full Serial.. 64 Autodesk Revit 2018(x86 X64) Keygen Serial Key autodesk revit keygen, autodesk revit keygen 2018, autodesk revit keygen 2017, autodesk You can download Autodesk Revit Crack 2018 Serial Key Free from links given below. Autodesk 2018 All Products xForce keygen x86 x64 How to install: .. Download Autodesk Robot Structural Analysis Pro 2018 full crack. Posted ... Microsoft Crack archicad 14 64 bit keygen Serial Number, Crack, Key Download. ... AVG PC TuneUp 16.76.3.18604 (x86 x64) Crack [CracksToday].torrent .torrent .. Autodesk Revit 2018 Product Key. It provides a complete solution for the entire building project. This software is very helpful to turn information into insight and Listen to Autodesk Revit 2018(x86 X64) Keygen Serial Key and twenty-two more episodes by Visualarq 1.7 Crack, free! No signup or install .. Revit 2018(x86 X64) Keygen Serial Key DOWNLOAD: ... Key ... Autodesk Revit 2018 Crack Keygen Download Torrent.. Product keys are required for installation ...

6774ea4ac9

[The Wire Season 5 Torrent Tpb](#)
[Adobe Photoshop Lightroom Classic CC 2019 8.2.1 Crack Mac Osx](#)
[download terjemahan kitab minhajul abidin 12](#)
[Fsx Sp2 Activation Key Full | added by users](#)
[SRPG Studio Activation Code \[Xforce keygen\]](#)
[Descargar Pelicula De Baile Urbano En Torrent](#)
[Network Analysis By Ganesh Rao Pdf Free 45](#)
[chehar maa photo hd 108066](#)
[psp monster hunter 3rd iso download torrent](#)
[Junoonyat Movie 720p Download Utorrent Movies](#)